

# TECHNICAL GUIDE

JUNE 2021  
03.06.2021



# **TECHNICAL INFORMATION**

# SINGLE UP AND OVER GARAGE DOORSCANOPY GEAR TYPE (EXCEPT GRP)

## STANDARD DOOR HEIGHTS

Door height			=H1+50	=H1	=H1-150				
imp	mm	H1	H2	H3	H4	H5	H6	R	C
6'4"	1931	1931	1981	1931	1781	1300	49	675	625
6'6"	1981	1981	2031	1981	1831	1300	49	725	657
6'10"	2085	2085	2135	2085	1935	1300	49	825	775
7'0"	2134	2134	2184	2134	1984	1300	49	880	825

H1 = Internal Frame Height

H2 = Minimum Height from floor to underside of ceiling

H3 = Minimum Brickwork Opening Height

H4 = Clear Drive Through Height (Internal Handle is the lowest point)

H5 = How far the door extends into the garage from the back of the brickwork opening

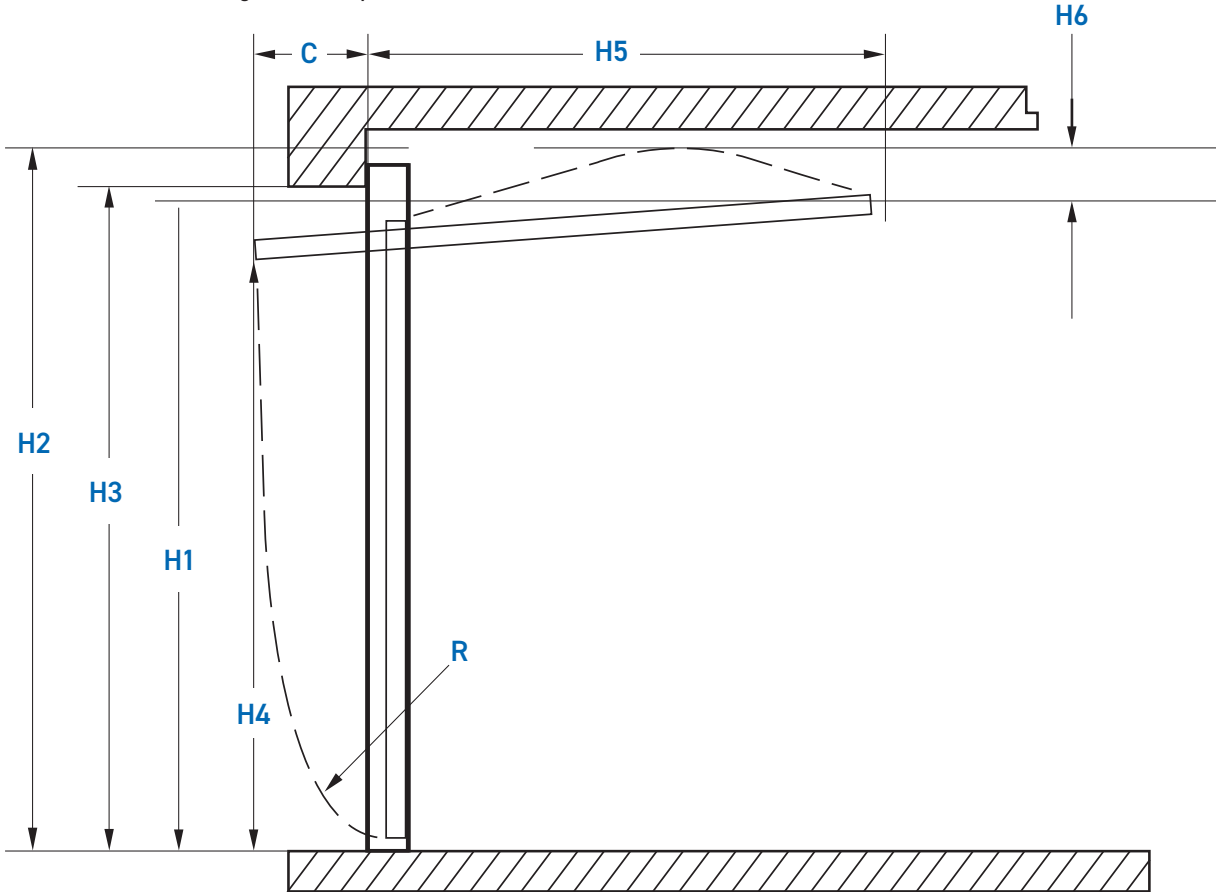
H6 = Kick Up (The height above the Internal Frame Height the door panel rises during the opening cycle)

R = The Arc of travel of the bottom edge of the door

C = The canopy (How far the door protrudes from the frame front)

Note:- The Kick up is greater than the frame Lintel Height and peeks above the Lintel at 1100mm into the garage from the frame front

Frame Header Dimensions 45mm high 40mm deep



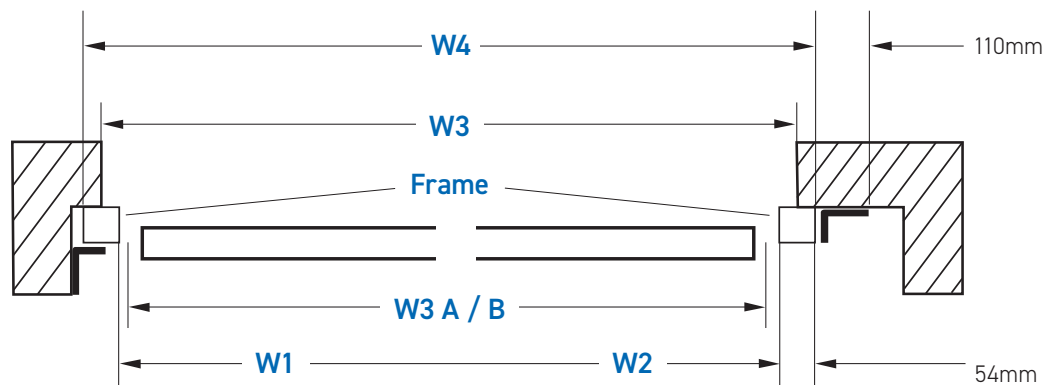
# SINGLE UP AND OVER GARAGE DOORS CANOPY GEAR TYPE (EXCEPT GRP)

## STANDARD DOOR WIDTHS

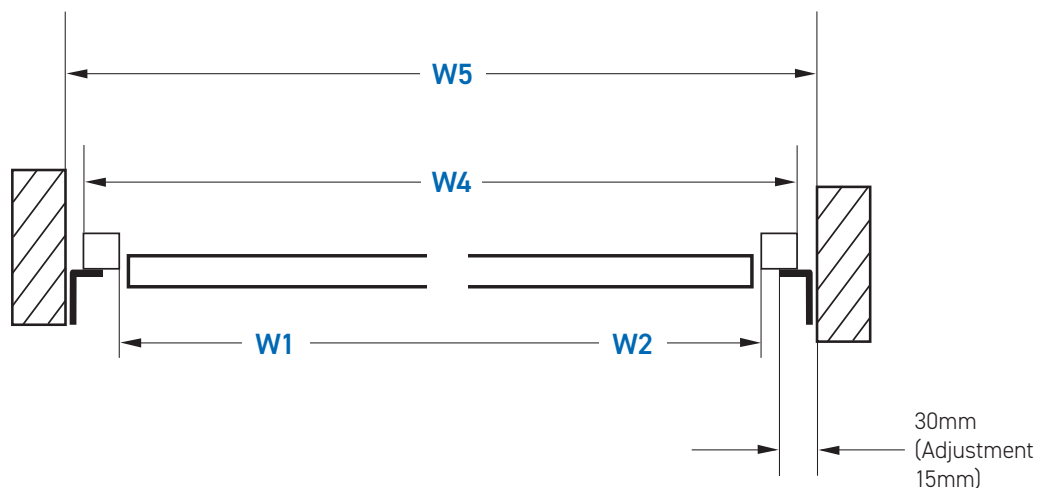
Door width		Common dimensions			54mm wide frame x 40mm wide frame	
		=W1	=W1+24			
imp	mm	W1	W2	W3	W4	W5
6'10"	2085	2085	2085	2109	2193	2199
7'0"	2134	2134	2134	2158	2242	2248
7'3"	2210	2210	2210	2234	2318	2324
7'5"	2261	2261	2261	2285	2369	2375
7'6"	2286	2286	2286	2310	2394	2400
8'0"	2438	2438	2438	2462	2546	2552

W1 = Internal Frame Width  
W2 = Clear Drive Through Width  
W3 = Minimum Brickwork Opening (fitting behind)  
W4 = Recommended Brickwork Opening Width  
W5 = Recommended Brickwork Opening Width

## FITTING BEHIND THE OPENING



## FITTING WITHIN THE OPENING



# UP AND OVER GARAGE DOORS SINGLE RETRACTABLE GEAR TYPE

## STANDARD DOOR HEIGHTS

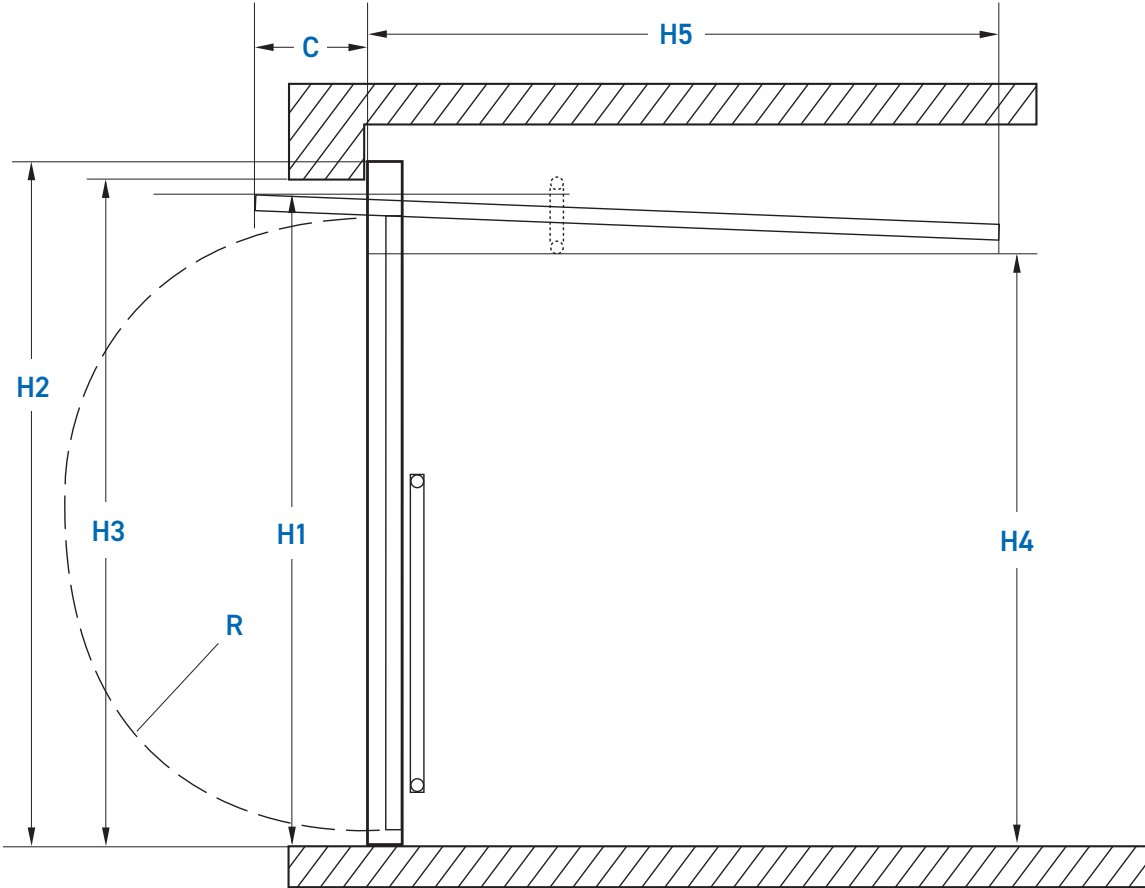
For Doors with Frame header 45mm High and 40mm Deep (Steel and Timber Doors)

Door height			=H1+45	=H1	= H1-150				Lever Arm Crank Height
Imp	mm	H1	H2	H3	H4	H5	R	C	
6'6"	1981	1981	2026	1981	1831	1735	1020	225	1030
7'0"	2134	2134	2180	2134	184	1890	1100	265	1100

For doors with Frame Header 68mm High and 60mm Deep (GRP DOORS)

Door height			=H1+68	=H1	= H1-100				Pivot Arm Crank Height
Imp	mm	H1	H2	H3	H4	H5	R	C	
6'6"	1981	1981	2049	1981	1881	1880	800	40	1050
7'0"	2134	2134	2202	2134	2034	1880	1030	230	1200

- H1 = Internal Frame Height
- H2 = External Frame Height
- H3 = Minimum Brickwork Opening Height
- H4 = Clear Drive Through Height (Internal Handle is the lowest point) For manual doors only
- H5 = How far the door extends into the garage
- R = The arc of travel of the bottom edge of the door
- C = The canopy (How far the door protrudes from the frame front)



# UP AND OVER GARAGE DOORS SINGLE RETRACTABLE GEAR TYPE

## STANDARD DOOR WIDTHS

Door Width		Common Dimensions				70mm wide frame		FOR GRP DOORS 68mm Wide Frame	
Imp	mm	70mm Wide W1	=W1+24 W2	=W1-100 W3A	=W1-36 W3B	=W1+140 W4	=W1+160 W5	= W1 + 136 W4	=W1 + 146 W5
6'10"	2085	2085	2109	1985	2049	2225	2245	2221	2231
7'0"	2134	2134	2158	2034	2098	2274	2294	2270	2280
7'3"	2210	2210	2234	2110	2174	2350	2370	2346	2356
7'5"	2261	2261	2285	2161	2225	2401	2421	2397	2407
7'6"	2286	2286	2310	2186	2250	2426	2446	2422	2432
8'0"	2438	2438	2462	2338	2402	2578	2598	2574	2584
9'0"	2743	2743	2767	2643	2707	2883	2903	N / A	N / A
10'0"	3048	3048	3072	2948	3011	3188	3208	N / A	N / A

W1 = Internal Frame Width

W2 = Minimum Brickwork Opening

W3A = Clear Drive through Width - Above the Crank of the Pivot Arm

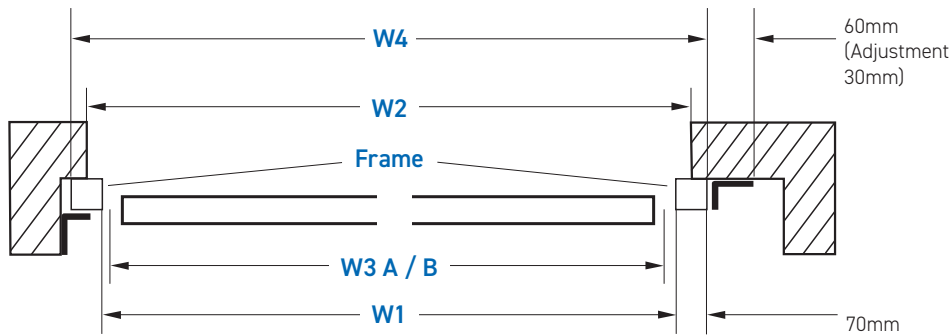
W3B = Clear Drive through Width - Below the Crank of the Pivot Arm

W4 = External Frame Width

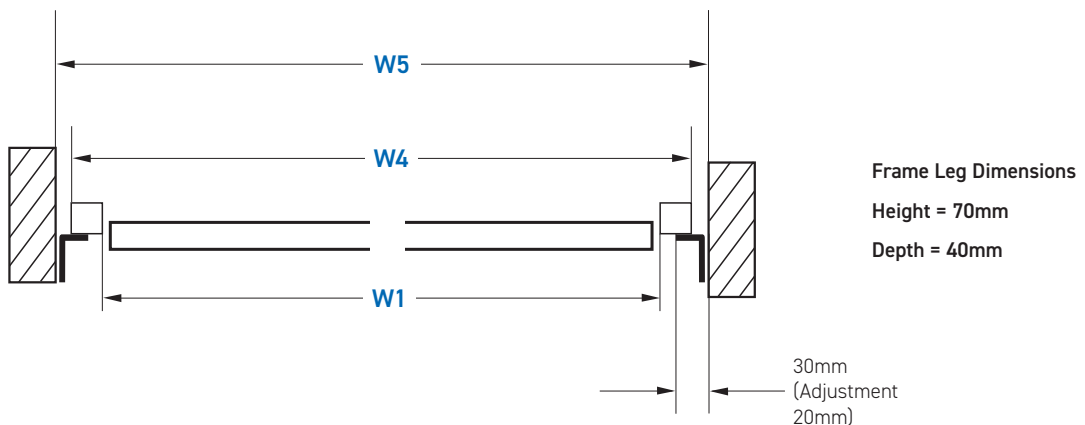
W5 = Recommended Brickwork Opening Width

NOTE When the Side Wall is between 400 and 750mm away from the opening aperture then an additional bracing kit is required to support the Rear Spacer Bar

## FITTING BEHIND THE OPENING



## FITTING WITHIN THE OPENING



# DOUBLE UP AND OVER GARAGE DOORS RETRACTABLE GEAR TYPE



## STANDARD DOOR HEIGHTS

Door height			=H1+68	=H1	=HW-150			
Imp	mm	H1	H2	H3	H4	H5	R	C
6'6"	1981	1981	2048	1981	1831	1870	900	60
7'0"	2134	2134	2202	2134	1984	1870	1040	210
7'6"	2286	2286	2354	2286	2136	1870	1180	360
8'0"	2438	2438	2506	2438	2288	1870	1320	510

H1 = Internal Frame Height

H2 = External Frame Height

H3 = Minimum Brickwork Opening Height

H4 = Clear Drive Through Height (Internal Handle is the lowest point)

H5 = How far the door extends into the garage

R = The arc of travel of the bottom edge of the door

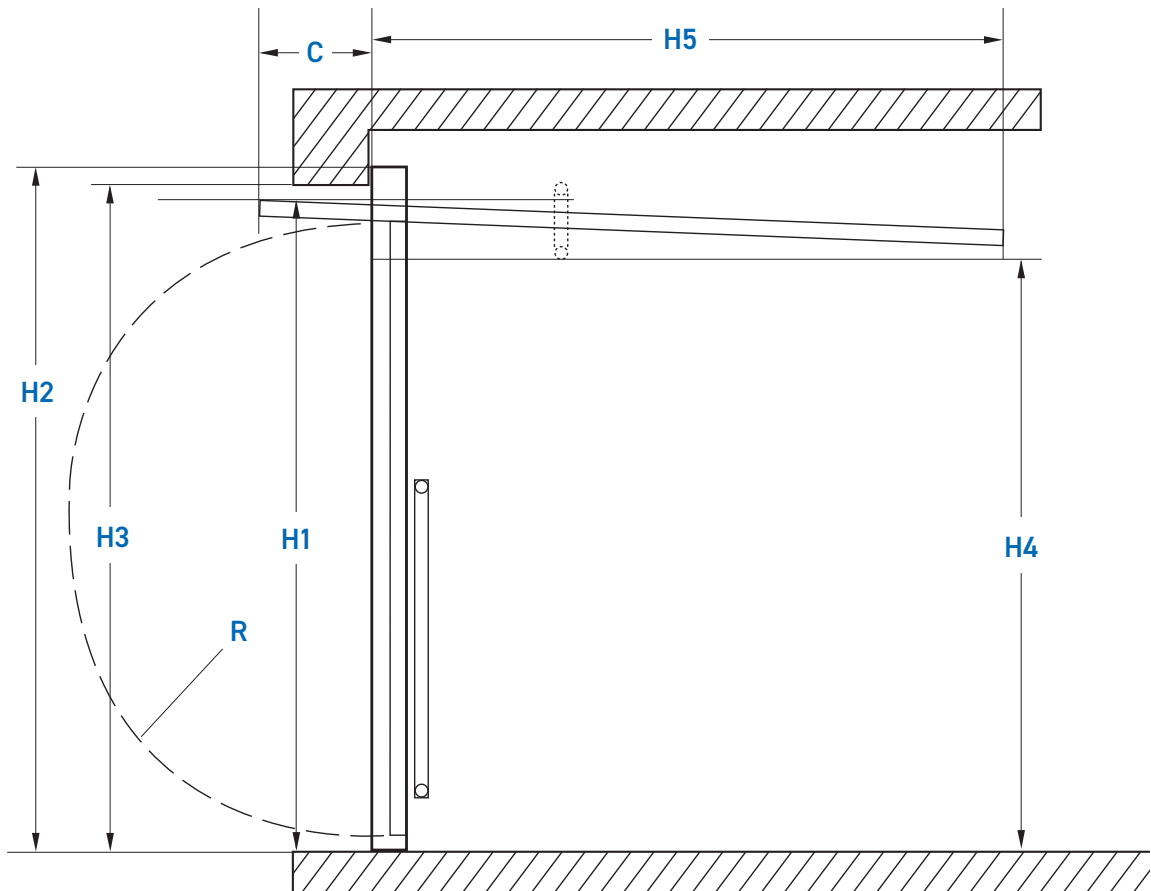
C = The canopy (How far the door protrudes from the frame front, Assumes 70mm thick frame)

K = Kick up = 43mm

### Frame Header Dimensions

Height = 68mm

Depth = 75mm



# DOUBLE UP AND OVER GARAGE DOORS. RETRACTABLE GEAR TYPE

## STANDARD DOOR WIDTHS

Door width		Common dimensions				70mm Wide Frame	
		=W1+24	=W1-120	=W1-50	=W1+140	=W1+150	
Imp	Mm	W1	W2	W3A	W3B	W4	W5
8'0"	2438	2438	2462	2318	2388	2578	2588
10'0"	3048	3048	3072	2928	2998	3188	3198
12'0"	3657	3657	3682	3537	3607	3797	3807
14'0"	4267	4267	4291	4147	4217	4407	4417
16'0"	4877	4877	4901	4757	4827	5017	5027

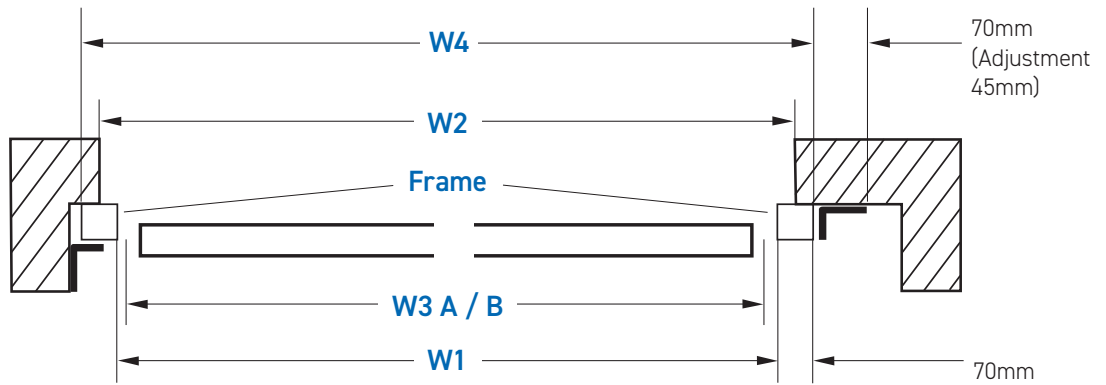
- W1 = Internal Frame Width
- W2 = Minimum Brickwork Opening
- W3A = Clear Drive through Width Above the Bottom of the Pivot Arm
- W3B = Clear Drive through Width Below the Bottom of the Pivot Arm
- W4 = External Frame Width
- W5 = Recommended Brickwork Opening Width

NOTE - The Bottom of the Pivot Arm when the door is open is  
 820mm from the floor on 1981mm high doors  
 970mm from the floor on 2134mm high doors  
 1120mm from the floor on 2286mm high doors

### Frame Leg Dimensions

Width = 68mm  
 Depth = 75mm

## FITTING BEHIND THE OPENING



## FITTING WITHIN THE OPENING

